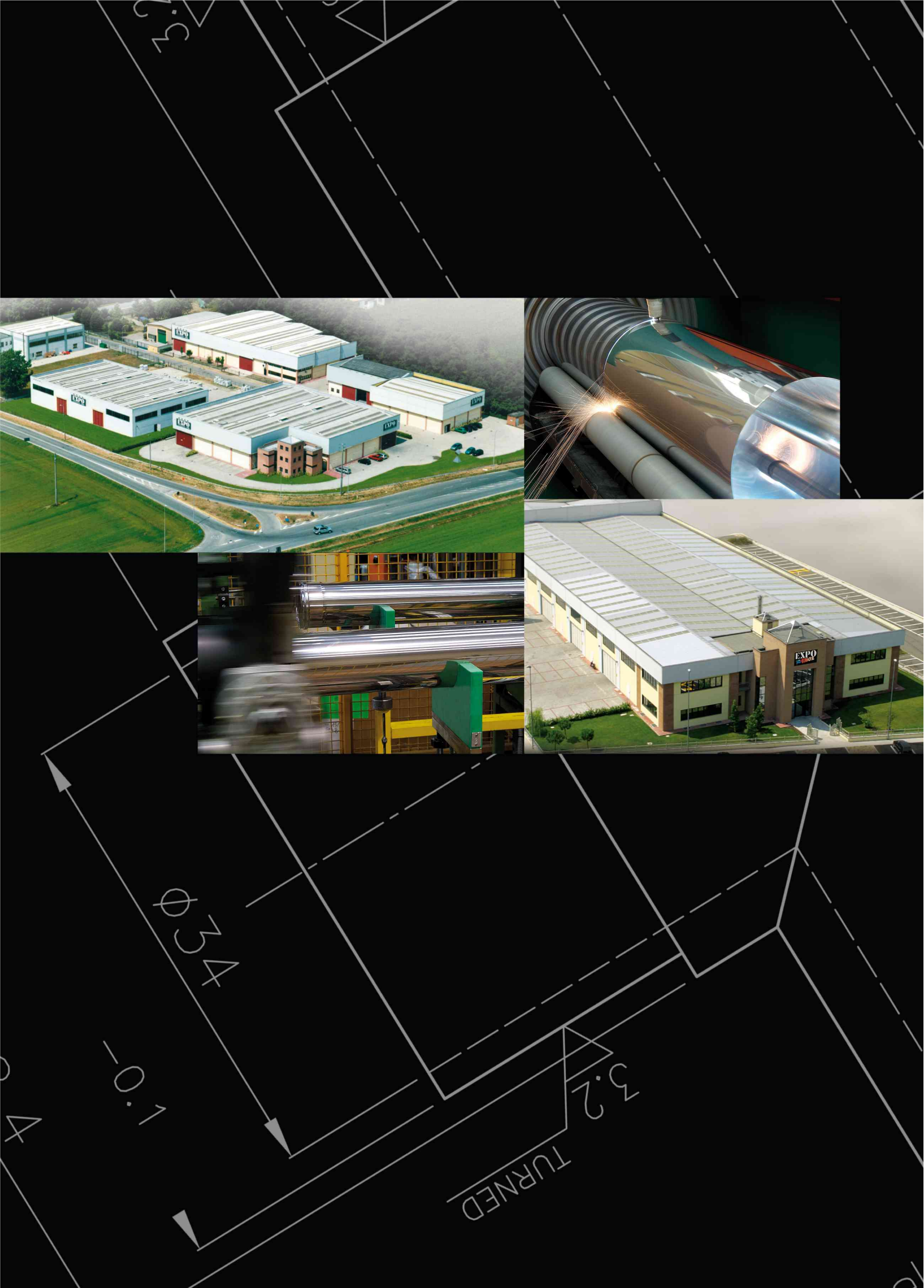
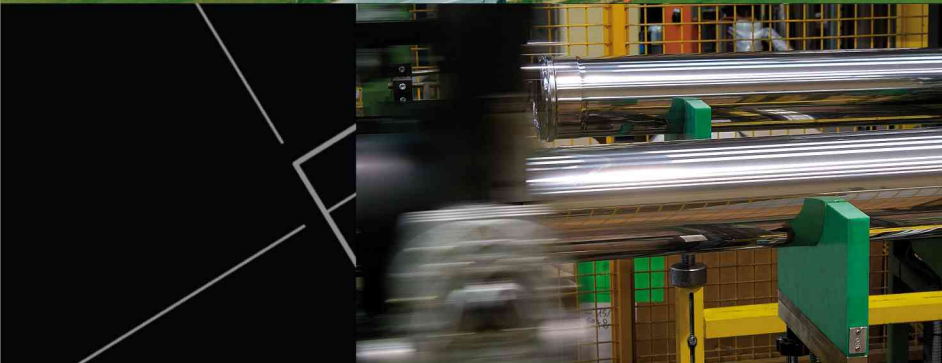




DW25



ACÉLA HÁZBAN

EXPO INOX hosszú ideje saválló acél gyártással és feldolgozással foglalkozik. Minden megkeresést pontos tervezés követ; termékeink innovatív technológiája, sokoldalúsága és az anyagok hosszú élettartama tesz minket képessé arra, hogy fejlett műszaki tartalommal, esztétikus termékeket nyújtsunk a legmagasabb minőségben. A rozsdamentes acél ideális az egyszerű vagy éppen összetettebb design megalkotására, beléllszkedve a meglévő környezetbe. Az acéllal történő tervezés az elvárt eredményt nyújtja vásárlóinknak, legyen szó akár a legkifinomultabb kérésről - ez a mi filozófiánk.

BUILDING WITH STAINLESS STEEL

EXPO INOX has been involved in stainless steel production for a long time. Every request is subjected to an accurate planning; the innovative techniques of our products, the multi purpose nature and long lasting characteristics of this material, enable us to propose advanced technical, aesthetical and design solutions of the highest quality. Stainless steel is ideal for linear and essential design creations, matching and respecting the environment in which it is placed. Design with stainless steel, give the customer the result he desires even to the most demanding requests: this is our main objective.

EXPO INOX



67.6

20



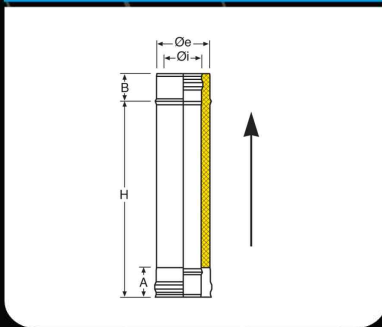


DW25 - Duplafalú - AISI 316L / AISI 304

DW25 DOUBLE WALL AISI 316L / AISI 304



EXTDP1C..



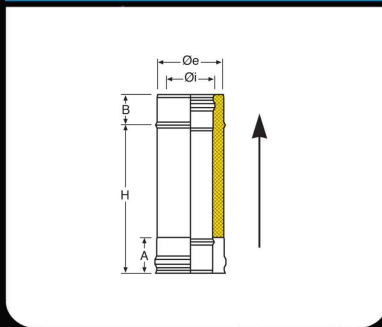
● DUPLAFALÚ SZIGETELT- 1 méteres hosszulem

Length 1 m double wall insulated

| Øi | Øe | H | A | B |
|-----|-----|-----|----|----|
| 80 | 130 | 940 | 65 | 54 |
| 100 | 150 | 940 | 65 | 54 |
| 130 | 180 | 940 | 65 | 54 |
| 150 | 200 | 940 | 65 | 54 |
| 180 | 230 | 940 | 65 | 54 |
| 200 | 250 | 940 | 65 | 54 |
| 250 | 300 | 940 | 65 | 54 |
| 300 | 350 | 940 | 65 | 54 |
| 350 | 400 | 940 | 65 | 54 |
| 400 | 450 | 940 | 65 | 54 |
| 450 | 500 | 940 | 65 | 54 |
| 500 | 550 | 940 | 65 | 54 |
| 550 | 600 | 940 | 65 | 54 |
| 600 | 650 | 940 | 65 | 54 |
| 650 | 700 | 940 | 65 | 54 |
| 700 | 750 | 940 | 65 | 54 |
| 750 | 800 | 940 | 65 | 54 |
| 800 | 850 | 940 | 65 | 54 |



EXTDP5C..



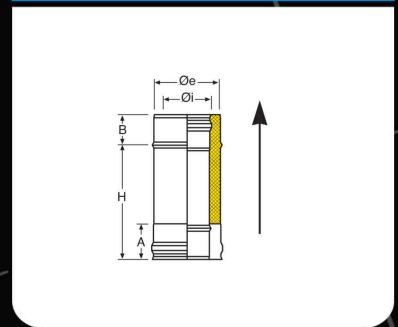
● DUPLAFALÚ SZIGETELT- 0,5 méteres hosszulem

Length 0,5 m double wall insulated

| Øi | Øe | H | A | B |
|-----|-----|-----|----|----|
| 80 | 130 | 440 | 65 | 54 |
| 100 | 150 | 440 | 65 | 54 |
| 130 | 180 | 440 | 65 | 54 |
| 150 | 200 | 440 | 65 | 54 |
| 180 | 230 | 440 | 65 | 54 |
| 200 | 250 | 440 | 65 | 54 |
| 250 | 300 | 440 | 65 | 54 |
| 300 | 350 | 440 | 65 | 54 |
| 350 | 400 | 440 | 65 | 54 |
| 400 | 450 | 440 | 65 | 54 |
| 450 | 500 | 440 | 65 | 54 |
| 500 | 550 | 440 | 65 | 54 |
| 550 | 600 | 440 | 65 | 54 |
| 600 | 650 | 440 | 65 | 54 |
| 650 | 700 | 440 | 65 | 54 |
| 700 | 750 | 440 | 65 | 54 |
| 750 | 800 | 440 | 65 | 54 |
| 800 | 850 | 440 | 65 | 54 |



EXTDP2C..



● cső DW inox 0,33 m DN 80/130 AISI 316L BA vastagság 0,4 mm

pipe DW inox 0,33 m DN80/130 AISI 316L BA thickness 0,4 mm

| Øi | Øe | H | A | B |
|-----|-----|-----|----|----|
| 80 | 130 | 270 | 65 | 54 |
| 100 | 150 | 270 | 65 | 54 |
| 130 | 180 | 270 | 65 | 54 |
| 150 | 200 | 270 | 65 | 54 |
| 180 | 230 | 270 | 65 | 54 |
| 200 | 250 | 270 | 65 | 54 |
| 250 | 300 | 270 | 65 | 54 |
| 300 | 350 | 270 | 65 | 54 |
| 350 | 400 | 270 | 65 | 54 |
| 400 | 450 | 270 | 65 | 54 |
| 450 | 500 | 270 | 65 | 54 |
| 500 | 550 | 270 | 65 | 54 |
| 550 | 600 | 270 | 65 | 54 |
| 600 | 650 | 270 | 65 | 54 |
| 650 | 700 | 270 | 65 | 54 |
| 700 | 750 | 270 | 65 | 54 |
| 750 | 800 | 270 | 65 | 54 |
| 800 | 850 | 270 | 65 | 54 |

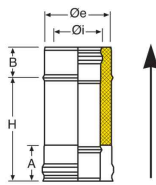


DW25 - Duplafalú - AISI 316L / AISI 304

DW25 DOUBLE WALL AISI 316L / AISI 304



EXTDP25C..



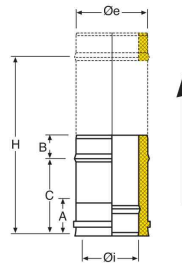
cső DW inox 0,25 m DN 80/130 AISI 316L BA vastagság 0,4 mm

pipe DW inox 0.25 m DN80/130 AISI 316L BA thickness 0,4 mm

| Øi | Øe | H | A | B |
|-----|-----|-----|----|----|
| 80 | 130 | 190 | 65 | 54 |
| 100 | 150 | 190 | 65 | 54 |
| 130 | 180 | 190 | 65 | 54 |
| 150 | 200 | 190 | 65 | 54 |
| 180 | 230 | 190 | 65 | 54 |
| 200 | 250 | 190 | 65 | 54 |
| 250 | 300 | 190 | 65 | 54 |
| 300 | 350 | 190 | 65 | 54 |
| 350 | 400 | 190 | 65 | 54 |
| 400 | 450 | 190 | 65 | 54 |
| 450 | 500 | 190 | 65 | 54 |
| 500 | 550 | 190 | 65 | 54 |
| 550 | 600 | 190 | 65 | 54 |
| 600 | 650 | 190 | 65 | 54 |
| 650 | 700 | 190 | 65 | 54 |
| 700 | 750 | 190 | 65 | 54 |
| 750 | 800 | 190 | 65 | 54 |
| 800 | 850 | 190 | 65 | 54 |



EXETDP4C..



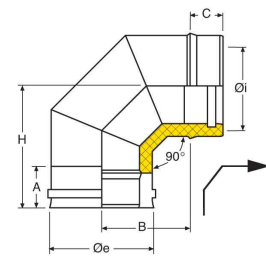
elem DW inox állítható fűtőcső DN 80/130 AISI 316L BA vastagság 0,4 mm

element DW inox adjustable pipe DN80/130 AISI 316L BA thickness 0,4 mm

| Øi | Øe | H | A | B | C |
|-----|-----|-----|----|----|-----|
| 80 | 130 | 390 | 65 | 54 | 260 |
| 100 | 150 | 390 | 65 | 54 | 260 |
| 130 | 180 | 390 | 65 | 54 | 260 |
| 150 | 200 | 390 | 65 | 54 | 260 |
| 180 | 230 | 390 | 65 | 54 | 260 |
| 200 | 250 | 390 | 65 | 54 | 260 |
| 250 | 300 | 390 | 65 | 54 | 260 |
| 300 | 350 | 390 | 65 | 54 | 260 |
| 350 | 400 | 390 | 65 | 54 | 260 |
| 400 | 450 | 390 | 65 | 54 | 260 |
| 450 | 500 | 390 | 65 | 54 | 260 |
| 500 | 550 | 390 | 65 | 54 | 260 |
| 550 | 600 | 390 | 65 | 54 | 260 |
| 600 | 650 | 390 | 65 | 54 | 260 |
| 650 | 700 | 390 | 65 | 54 | 260 |
| 700 | 750 | 390 | 65 | 54 | 260 |
| 750 | 800 | 390 | 65 | 54 | 260 |
| 800 | 850 | 390 | 65 | 54 | 260 |



EXGDP90C..



DUPLAFALÚ SZIGETELT- 90°os könyök

Elbow 90° TIG welded double wall insulated

| Øi | Øe | H | A | B | C |
|-----|-----|-----|----|-----|----|
| 80 | 130 | 160 | 65 | 100 | 54 |
| 100 | 150 | 180 | 65 | 120 | 54 |
| 130 | 180 | 190 | 65 | 130 | 54 |
| 150 | 200 | 200 | 65 | 140 | 54 |
| 180 | 230 | 215 | 65 | 155 | 54 |
| 200 | 250 | 225 | 65 | 165 | 54 |
| 250 | 300 | 250 | 65 | 190 | 54 |
| 300 | 350 | 275 | 65 | 215 | 54 |
| 350 | 400 | 321 | 65 | 261 | 54 |
| 400 | 450 | 367 | 65 | 307 | 54 |
| 450 | 500 | 392 | 65 | 332 | 54 |
| 500 | 550 | 417 | 65 | 357 | 54 |
| 550 | 600 | 442 | 65 | 382 | 54 |
| 600 | 650 | 467 | 65 | 407 | 54 |
| 650 | 700 | 492 | 65 | 432 | 54 |
| 700 | 750 | 517 | 65 | 457 | 54 |
| 750 | 800 | 542 | 65 | 482 | 54 |
| 800 | 850 | 567 | 65 | 507 | 54 |

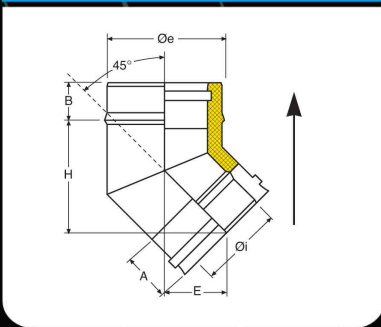


DW25 - Duplafalú - AISI 316L / AISI 304

DW25 DOUBLE WALL AISI 316L / AISI 304

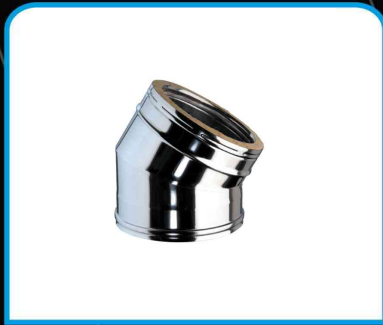


EXGDP45C..

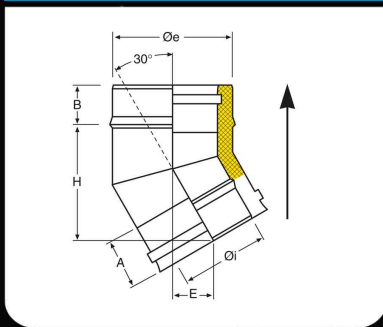


● DUPLAFALÚ SZIGETELT- 45° os könyök

Elbow 45° TIG welded double wall insulated



EXGDP30C..

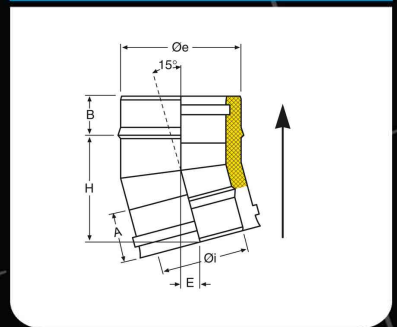


● könyök DW inox 30° DN80/130 AISI 316L BA vastagság 0,4 mm

bend DW inox 30° DN80/130 AISI 316L BA thickness 0,4 mm



EXGDP15C..



● könyök DW inox 15° DN80/130 AISI 316L BA vastagság 0,4 mm

bend DW inox 15° DN80/130 AISI 316L BA thickness 0,4 mm

| Øi | Øe | H | A | B | E |
|-----|-----|-----|----|----|-----|
| 80 | 130 | 119 | 65 | 54 | 72 |
| 100 | 150 | 126 | 65 | 54 | 75 |
| 130 | 180 | 137 | 65 | 54 | 79 |
| 150 | 200 | 143 | 65 | 54 | 82 |
| 180 | 230 | 160 | 65 | 54 | 88 |
| 200 | 250 | 164 | 65 | 54 | 91 |
| 250 | 300 | 184 | 65 | 54 | 98 |
| 300 | 350 | 197 | 65 | 54 | 105 |
| 350 | 400 | 215 | 65 | 54 | 114 |
| 400 | 450 | 234 | 65 | 54 | 123 |
| 450 | 500 | 252 | 65 | 54 | 130 |
| 500 | 550 | 270 | 65 | 54 | 138 |
| 550 | 600 | 287 | 65 | 54 | 145 |
| 600 | 650 | 334 | 65 | 54 | 164 |
| 650 | 700 | 352 | 65 | 54 | 172 |
| 700 | 750 | 369 | 65 | 54 | 169 |
| 750 | 800 | 387 | 65 | 54 | 186 |
| 800 | 850 | 405 | 65 | 54 | 194 |

| Øi | Øe | H | A | B | E |
|-----|-----|-----|----|----|-----|
| 80 | 130 | 119 | 65 | 54 | 46 |
| 100 | 150 | 122 | 65 | 54 | 48 |
| 130 | 180 | 130 | 65 | 54 | 51 |
| 150 | 200 | 135 | 65 | 54 | 51 |
| 180 | 230 | 142 | 65 | 54 | 53 |
| 200 | 250 | 147 | 65 | 54 | 54 |
| 250 | 300 | 160 | 65 | 54 | 57 |
| 300 | 350 | 172 | 65 | 54 | 60 |
| 350 | 400 | 184 | 65 | 54 | 63 |
| 400 | 450 | 197 | 65 | 54 | 67 |
| 450 | 500 | 210 | 65 | 54 | 70 |
| 500 | 550 | 222 | 65 | 54 | 74 |
| 550 | 600 | 235 | 65 | 54 | 77 |
| 600 | 650 | 282 | 65 | 54 | 93 |
| 650 | 700 | 295 | 65 | 54 | 96 |
| 700 | 750 | 307 | 65 | 54 | 99 |
| 750 | 800 | 320 | 65 | 54 | 103 |
| 800 | 850 | 332 | 65 | 54 | 106 |

| Øi | Øe | H | A | B | E |
|-----|-----|-----|----|----|----|
| 80 | 130 | 112 | 65 | 54 | 23 |
| 100 | 150 | 115 | 65 | 54 | 23 |
| 130 | 180 | 119 | 65 | 54 | 23 |
| 150 | 200 | 121 | 65 | 54 | 24 |
| 180 | 230 | 125 | 65 | 54 | 25 |
| 200 | 250 | 128 | 65 | 54 | 24 |
| 250 | 300 | 134 | 65 | 54 | 25 |
| 300 | 350 | 141 | 65 | 54 | 26 |
| 350 | 400 | 147 | 65 | 54 | 27 |
| 400 | 450 | 154 | 65 | 54 | 28 |
| 450 | 500 | 160 | 65 | 54 | 29 |
| 500 | 550 | 167 | 65 | 54 | 30 |
| 550 | 600 | 173 | 65 | 54 | 31 |
| 600 | 650 | 214 | 65 | 54 | 36 |
| 650 | 700 | 220 | 65 | 54 | 37 |
| 700 | 750 | 225 | 65 | 54 | 38 |
| 750 | 800 | 233 | 65 | 54 | 39 |
| 800 | 850 | 240 | 65 | 54 | 40 |

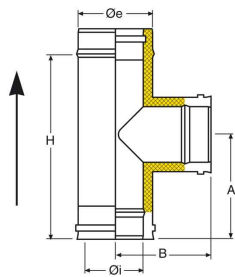


DW25 - Duplafalú - AISI 316L / AISI 304

DW25 DOUBLE WALL AISI 316L / AISI 304



EXRTDPC..

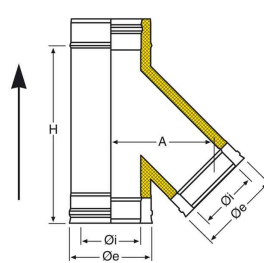


● DUPLAFALÚ SZIGETELT- 90°-os T idom

90° tee double wall insulated



EXRTIC..

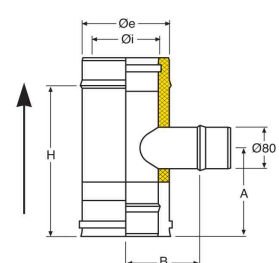


● DUPLAFALÚ SZIGETELT- 45°-os T idom

45° tee double wall insulated



EXRTDPCU..



● DUPLAFALÚ SZIGETELT- 90°-os T idom egyfalú Ø 80 mm bekötéssel

90° reducing tee to single wall Ø 80 mm double wall insulated

| Øi | Øe | H | A | B |
|-----|-----|-----|-----|-----|
| 80 | 130 | 440 | 242 | 140 |
| 100 | 150 | 440 | 242 | 150 |
| 130 | 180 | 440 | 242 | 165 |
| 150 | 200 | 440 | 242 | 175 |
| 180 | 230 | 440 | 242 | 190 |
| 200 | 250 | 440 | 242 | 200 |
| 250 | 300 | 440 | 242 | 225 |
| 300 | 350 | 490 | 267 | 250 |
| 350 | 400 | 588 | 322 | 275 |
| 400 | 450 | 710 | 380 | 300 |
| 450 | 500 | 710 | 380 | 325 |
| 500 | 550 | 760 | 405 | 350 |
| 550 | 600 | 810 | 430 | 375 |
| 600 | 650 | 810 | 430 | 400 |
| 650 | 700 | 840 | 445 | 425 |
| 700 | 750 | 890 | 470 | 450 |
| 750 | 800 | 940 | 495 | 475 |
| 800 | 850 | 990 | 520 | 500 |

| Øi | Øe | H | A |
|-----|-----|------|-----|
| 80 | 130 | 350 | 196 |
| 100 | 150 | 390 | 215 |
| 130 | 180 | 390 | 241 |
| 150 | 200 | 440 | 258 |
| 180 | 230 | 470 | 273 |
| 200 | 250 | 515 | 300 |
| 250 | 300 | 560 | 344 |
| 300 | 350 | 640 | 386 |
| 350 | 400 | 883 | 496 |
| 400 | 450 | 940 | 515 |
| 450 | 500 | 1020 | 542 |
| 500 | 550 | 1020 | 593 |
| 550 | 600 | 1092 | 653 |
| 600 | 650 | 1122 | 696 |
| 650 | 700 | 1164 | 739 |
| 700 | 750 | 1280 | 781 |
| 750 | 800 | 1290 | 824 |
| 800 | 850 | 1342 | 867 |

| Øi | Øe | H | A | B |
|-----|-----|-----|-----|-----|
| 80 | 130 | 190 | 123 | 90 |
| 100 | 150 | 190 | 123 | 100 |
| 130 | 180 | 190 | 123 | 115 |
| 150 | 200 | 190 | 123 | 125 |
| 180 | 230 | 190 | 123 | 140 |
| 200 | 250 | 190 | 123 | 150 |
| 250 | 300 | 190 | 123 | 175 |
| 300 | 350 | 190 | 123 | 200 |

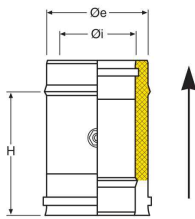


DW25 - Duplafalú - AISI 316L / AISI 304

DW25 DOUBLE WALL AISI 316L / AISI 304



EXPF..

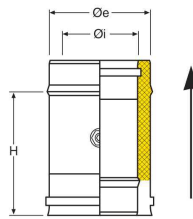


● DUPLAFALÚ SZIGETELT- Füstgáz ellenőrző idom, csavarmenettel és szilikon gyűrűvel

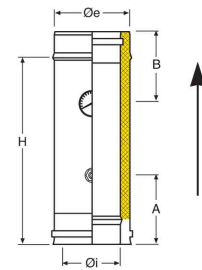
Element for smoke test with threaded sleeve double wall insulated



EXPFT..



EXPFT..



● DUPLAFALÚ SZIGETELT- Füstgáz és hőmérséklet ellenőrző idom lap elemmel

Element for smoke and temperature test with threaded sleeve double wall insulated

| Øi | Øe | H |
|-----|-----|-----|
| 80 | 130 | 190 |
| 100 | 150 | 190 |
| 130 | 180 | 190 |
| 150 | 200 | 190 |
| 180 | 230 | 190 |
| 200 | 250 | 190 |
| 250 | 300 | 190 |
| 300 | 350 | 190 |
| 350 | 400 | 190 |
| 400 | 450 | 190 |
| 450 | 500 | 190 |
| 500 | 550 | 190 |
| 550 | 600 | 190 |
| 600 | 650 | 190 |
| 650 | 700 | 190 |
| 700 | 750 | 190 |
| 750 | 800 | 190 |
| 800 | 850 | 190 |

| Øi | Øe | H | A | B |
|-----|-----|-----|----|----|
| 80 | 130 | 190 | 65 | 54 |
| 100 | 150 | 190 | 65 | 54 |
| 130 | 180 | 190 | 65 | 54 |
| 150 | 200 | 190 | 65 | 54 |
| 180 | 230 | 190 | 65 | 54 |
| 200 | 250 | 190 | 65 | 54 |
| 250 | 300 | 190 | 65 | 54 |
| 300 | 350 | 190 | 65 | 54 |
| 350 | 400 | 190 | 65 | 54 |
| 400 | 450 | 190 | 65 | 54 |
| 450 | 500 | 190 | 65 | 54 |
| 500 | 550 | 190 | 65 | 54 |
| 550 | 600 | 190 | 65 | 54 |
| 600 | 650 | 190 | 65 | 54 |
| 650 | 700 | 190 | 65 | 54 |
| 700 | 750 | 190 | 65 | 54 |
| 750 | 800 | 190 | 65 | 54 |
| 800 | 850 | 190 | 65 | 54 |

| Øi | Øe | H | A | B |
|-----|-----|-----|-----|-----|
| 80 | 130 | 440 | 160 | 160 |
| 100 | 150 | 440 | 160 | 160 |
| 130 | 180 | 440 | 160 | 160 |
| 150 | 200 | 440 | 160 | 160 |
| 180 | 230 | 440 | 160 | 160 |
| 200 | 250 | 440 | 160 | 160 |
| 250 | 300 | 440 | 160 | 160 |
| 300 | 350 | 440 | 160 | 160 |
| 350 | 400 | 440 | 160 | 160 |
| 400 | 450 | 440 | 160 | 160 |
| 450 | 500 | 440 | 160 | 160 |
| 500 | 550 | 440 | 160 | 160 |
| 550 | 600 | 440 | 160 | 160 |
| 600 | 650 | 440 | 160 | 160 |
| 650 | 700 | 440 | 160 | 160 |
| 700 | 750 | 440 | 160 | 160 |
| 750 | 800 | 440 | 160 | 160 |
| 800 | 850 | 440 | 160 | 160 |

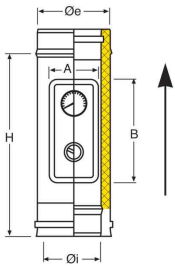


DW25 - Duplafalú - AISI 316L / AISI 304

DW25 DOUBLE WALL AISI 316L / AISI 304



EXTMCFC..



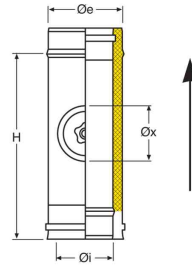
● DUPLAFALÚ SZIGETELT- Füstgáz és hőmérséklet ellenőrző idom lap elemmel

Element with plate for smoke and temperature test with threaded sleeve double wall insulated

| Øi | Øe | H | A | B |
|-----|-----|-----|-----|-----|
| 80 | 130 | 440 | 113 | 190 |
| 100 | 150 | 440 | 113 | 190 |
| 130 | 180 | 440 | 113 | 190 |
| 150 | 200 | 440 | 113 | 190 |
| 180 | 230 | 440 | 113 | 190 |
| 200 | 250 | 440 | 113 | 190 |
| 250 | 300 | 440 | 185 | 280 |
| 300 | 350 | 440 | 185 | 280 |
| 350 | 400 | 440 | 185 | 280 |
| 400 | 450 | 440 | 185 | 280 |
| 450 | 500 | 440 | 185 | 280 |
| 500 | 550 | 440 | 185 | 280 |
| 550 | 600 | 440 | 185 | 280 |
| 600 | 650 | 440 | 185 | 280 |
| 650 | 700 | 440 | 185 | 280 |
| 700 | 750 | 440 | 185 | 280 |
| 750 | 800 | 440 | 185 | 280 |
| 800 | 850 | 440 | 185 | 280 |



EXTSIDPC..



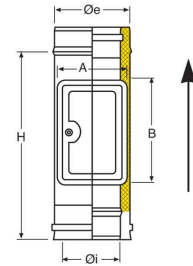
● DUPLAFALÚ SZIGETELT- Egyenes ellenőrző idom kör alakú ellenőrző nílással

Inspection length with round door double wall insulated

| Øi | Øe | Øx | H |
|-----|-----|-----|-----|
| 80 | 130 | 80 | 270 |
| 100 | 150 | 100 | 270 |
| 130 | 180 | 130 | 270 |
| 150 | 200 | 150 | 270 |
| 180 | 230 | 180 | 440 |
| 200 | 250 | 200 | 440 |
| 250 | 300 | 200 | 440 |
| 300 | 350 | 200 | 440 |
| 350 | 400 | 200 | 440 |
| 400 | 450 | 200 | 440 |
| 450 | 500 | 200 | 440 |
| 500 | 550 | 200 | 440 |
| 550 | 600 | 200 | 440 |
| 600 | 650 | 200 | 440 |
| 650 | 700 | 200 | 440 |
| 700 | 750 | 200 | 440 |
| 750 | 800 | 200 | 440 |
| 800 | 850 | 200 | 440 |



EXDPERC..



● DUPLAFALÚ SZIGETELT- Ellenőrző idom negatív nyomásra

Inspection length with square door double wall insulated

| Øi | Øe | H | A | B |
|-----|-----|-----|-----|-----|
| 80 | 130 | 440 | 113 | 190 |
| 100 | 150 | 440 | 113 | 190 |
| 130 | 180 | 440 | 113 | 190 |
| 150 | 200 | 440 | 113 | 190 |
| 180 | 230 | 440 | 113 | 190 |
| 200 | 250 | 440 | 113 | 190 |
| 250 | 300 | 440 | 185 | 280 |
| 300 | 350 | 440 | 185 | 280 |
| 350 | 400 | 440 | 185 | 280 |
| 400 | 450 | 440 | 185 | 280 |
| 450 | 500 | 440 | 185 | 280 |
| 500 | 550 | 440 | 185 | 280 |
| 550 | 600 | 440 | 185 | 280 |
| 600 | 650 | 440 | 185 | 280 |
| 650 | 700 | 440 | 185 | 280 |
| 700 | 750 | 440 | 185 | 280 |
| 750 | 800 | 440 | 185 | 280 |
| 800 | 850 | 440 | 185 | 280 |

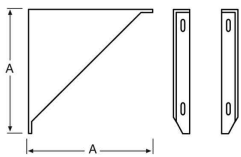


DW25 - Duplafalú - AISI 316L / AISI 304

DW25 DOUBLE WALL AISI 316L / AISI 304



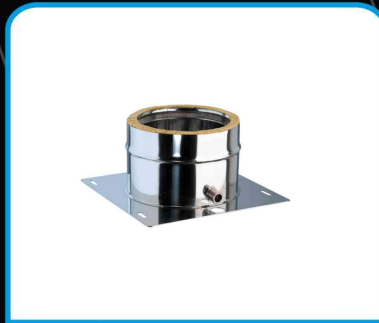
EXCSDP..



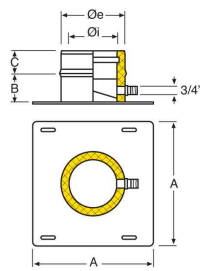
● DUPLAFALÚ SZIGETELT- Fali konzol (párban)

Cantilever brackets (pair) double wall insulated

| Ø | A |
|-----|-----|
| 80 | 230 |
| 100 | 250 |
| 130 | 280 |
| 150 | 300 |
| 180 | 330 |
| 200 | 350 |
| 250 | 400 |
| 300 | 450 |
| 350 | 500 |
| 400 | 550 |
| 450 | 600 |
| 500 | 650 |
| 550 | 700 |
| 600 | 750 |
| 650 | 800 |
| 700 | 850 |
| 750 | 900 |
| 800 | 950 |



EXPIASTRC..



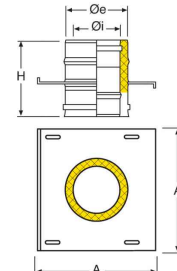
● lap DW inox indító idom kondenzelvezetővel DN 80/130 AISI 316L BA vastagság 0,4 mm

plate DW inox base plate with drain plug DN 80/130 AISI 316L BA thickness 0,4 mm

| Øi | Øe | A | B | C |
|-----|-----|-----|-----|----|
| 80 | 130 | 230 | 100 | 54 |
| 100 | 150 | 250 | 100 | 54 |
| 130 | 180 | 280 | 100 | 54 |
| 150 | 200 | 300 | 100 | 54 |
| 180 | 230 | 330 | 100 | 54 |
| 200 | 250 | 350 | 100 | 54 |
| 250 | 300 | 400 | 100 | 54 |
| 300 | 350 | 450 | 100 | 54 |
| 350 | 400 | 500 | 100 | 54 |
| 400 | 450 | 550 | 100 | 54 |
| 450 | 500 | 600 | 100 | 54 |
| 500 | 550 | 650 | 100 | 54 |
| 550 | 600 | 700 | 100 | 54 |
| 600 | 650 | 750 | 100 | 54 |
| 650 | 700 | 800 | 100 | 54 |
| 700 | 750 | 850 | 100 | 54 |
| 750 | 800 | 900 | 100 | 54 |
| 800 | 850 | 950 | 100 | 54 |



EXPIASIC..



● DUPLAFALÚ SZIGETELT- Köztes elem konzolos szereléshez

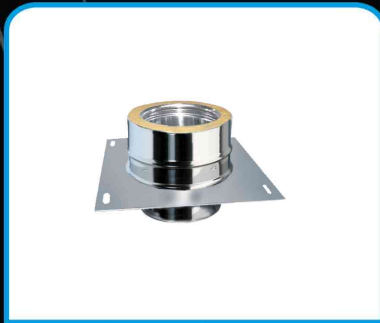
Intermediate anchor plate double wall insulated

| Øi | Øe | H | A |
|-----|-----|-----|-----|
| 80 | 130 | 190 | 230 |
| 100 | 150 | 190 | 250 |
| 130 | 180 | 190 | 280 |
| 150 | 200 | 190 | 300 |
| 180 | 230 | 190 | 330 |
| 200 | 250 | 190 | 350 |
| 250 | 300 | 190 | 400 |
| 300 | 350 | 190 | 450 |
| 350 | 400 | 190 | 500 |
| 400 | 450 | 190 | 550 |
| 450 | 500 | 190 | 600 |
| 500 | 550 | 190 | 650 |
| 550 | 600 | 190 | 700 |
| 600 | 650 | 190 | 750 |
| 650 | 700 | 190 | 800 |
| 700 | 750 | 190 | 850 |
| 750 | 800 | 190 | 900 |
| 800 | 850 | 190 | 950 |

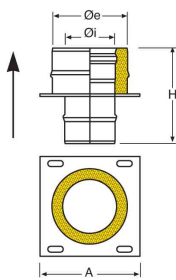


DW25 - Duplafalú - AISI 316L / AISI 304

DW25 DOUBLE WALL AISI 316L / AISI 304



EXPIASICDM..



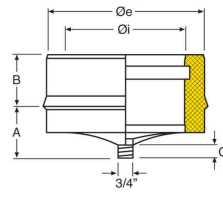
● DUPLAFALÚ SZIGETELT- Köztes lemez konzolos szereléshez - egyfalú/szigetelt

Intermediate anchor plate single - double wall insulated

| Øi | Øe | H | A |
|-----|-----|-----|-----|
| 80 | 130 | 190 | 180 |
| 100 | 150 | 190 | 200 |
| 130 | 180 | 190 | 230 |
| 150 | 200 | 190 | 250 |
| 180 | 230 | 190 | 280 |
| 200 | 250 | 190 | 300 |
| 250 | 300 | 190 | 350 |
| 300 | 350 | 190 | 400 |
| 350 | 400 | 190 | 450 |
| 400 | 450 | 190 | 500 |
| 450 | 500 | 190 | 550 |
| 500 | 550 | 190 | 600 |
| 550 | 600 | 190 | 650 |
| 600 | 650 | 190 | 700 |
| 650 | 700 | 190 | 750 |
| 700 | 750 | 190 | 800 |
| 750 | 800 | 190 | 850 |
| 800 | 850 | 190 | 900 |



EXTAPDP4C..



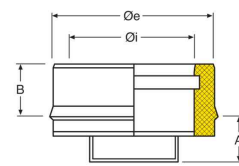
● DW inox kondenz elvezető DN 80/130 AISI 316L BA vastagság 0,4 mm

DW inox condense drain DN80/130 AISI 316L BA thickness 0,4 mm

| Øi | Øe | A | B | C |
|-----|-----|----|----|----|
| 80 | 130 | 65 | 54 | 12 |
| 100 | 150 | 65 | 54 | 12 |
| 130 | 180 | 65 | 54 | 12 |
| 150 | 200 | 65 | 54 | 12 |
| 180 | 230 | 65 | 54 | 12 |
| 200 | 250 | 65 | 54 | 12 |
| 250 | 300 | 65 | 54 | 12 |
| 300 | 350 | 65 | 54 | 12 |
| 350 | 400 | 65 | 54 | 12 |
| 400 | 450 | 65 | 54 | 12 |
| 450 | 500 | 65 | 54 | 12 |
| 500 | 550 | 65 | 54 | 12 |
| 550 | 600 | 65 | 54 | 12 |
| 600 | 650 | 65 | 54 | 12 |
| 650 | 700 | 65 | 54 | 12 |
| 700 | 750 | 65 | 54 | 12 |
| 750 | 800 | 65 | 54 | 12 |
| 800 | 850 | 65 | 54 | 12 |



EXTC..



● DW inox T sapka DN 80/130 AISI 316L BA vastagság 0,4 mm

DW inox tee cap DN80/130 AISI 316L BA thickness 0,4 mm

| Øi | Øe | A | B |
|-----|-----|----|----|
| 80 | 130 | 55 | 54 |
| 100 | 150 | 55 | 54 |
| 130 | 180 | 55 | 54 |
| 150 | 200 | 55 | 54 |
| 180 | 230 | 55 | 54 |
| 200 | 250 | 55 | 54 |
| 250 | 300 | 55 | 54 |
| 300 | 350 | 55 | 54 |
| 350 | 400 | 55 | 54 |
| 400 | 450 | 55 | 54 |
| 450 | 500 | 55 | 54 |
| 500 | 550 | 55 | 54 |
| 550 | 600 | 55 | 54 |
| 600 | 650 | 55 | 54 |
| 650 | 700 | 55 | 54 |
| 700 | 750 | 55 | 54 |
| 750 | 800 | 55 | 54 |
| 800 | 850 | 55 | 54 |

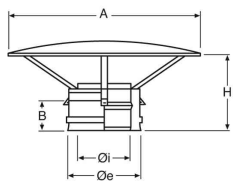


DW25 - Duplafalú - AISI 316L / AISI 304

DW25 DOUBLE WALL AISI 316L / AISI 304



EXCCDPC..

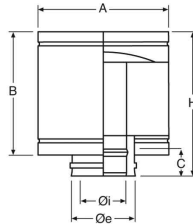


● DUPLAFALÚ SZIGETELT- Esővédő sapka, tokos végződéshez

Rain cap double wall insulated



EXTADPC..

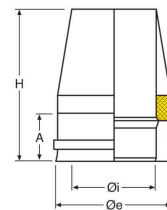


● DUPLAFALÚ SZIGETELT- Viharsapka

Anti draught cowl double wall insulated



EXTTCDC..



● záró DW inox záró kúp DN 80/ 130 AISI 316L BA

terminal DW inox venturi cone DN80/DN130 AISI 316L BA

| Øi | Øe | H | A | B |
|-----|-----|-----|------|----|
| 80 | 130 | 190 | 265 | 65 |
| 100 | 150 | 190 | 265 | 65 |
| 130 | 180 | 230 | 320 | 65 |
| 150 | 200 | 230 | 320 | 65 |
| 180 | 230 | 250 | 400 | 65 |
| 200 | 250 | 250 | 400 | 65 |
| 250 | 300 | 270 | 500 | 65 |
| 300 | 350 | 270 | 600 | 65 |
| 350 | 400 | 300 | 720 | 65 |
| 400 | 450 | 300 | 720 | 65 |
| 450 | 500 | 330 | 850 | 65 |
| 500 | 550 | 330 | 850 | 65 |
| 550 | 600 | 330 | 900 | 65 |
| 600 | 650 | 360 | 1150 | 65 |
| 650 | 700 | 370 | 1250 | 65 |
| 700 | 750 | 380 | 1350 | 65 |
| 750 | 800 | 390 | 1400 | 65 |
| 800 | 850 | 400 | 1450 | 65 |

| Øi | Øe | H | A | B | C |
|-----|-----|-----|------|-----|----|
| 80 | 130 | 325 | 222 | 165 | 65 |
| 100 | 150 | 375 | 260 | 200 | 65 |
| 130 | 180 | 405 | 303 | 200 | 65 |
| 150 | 200 | 405 | 310 | 250 | 65 |
| 180 | 230 | 405 | 370 | 250 | 65 |
| 200 | 250 | 405 | 418 | 250 | 65 |
| 250 | 300 | 405 | 468 | 310 | 65 |
| 300 | 350 | 405 | 530 | 310 | 65 |
| 350 | 400 | 405 | 700 | 330 | 65 |
| 400 | 450 | 405 | 800 | 330 | 65 |
| 450 | 500 | 405 | 900 | 330 | 65 |
| 500 | 550 | 405 | 1000 | 360 | 65 |
| 550 | 600 | 435 | 1000 | 360 | 65 |
| 600 | 650 | 435 | 1000 | 360 | 65 |
| 650 | 700 | 435 | 1200 | 360 | 65 |
| 700 | 750 | 475 | 1250 | 400 | 65 |
| 750 | 800 | 475 | 1300 | 400 | 65 |
| 800 | 850 | 475 | 1400 | 400 | 65 |

| Øi | Øe | H | A |
|-----|-----|-----|----|
| 80 | 130 | 200 | 65 |
| 100 | 150 | 200 | 65 |
| 130 | 180 | 200 | 65 |
| 150 | 200 | 200 | 65 |
| 180 | 230 | 200 | 65 |
| 200 | 250 | 200 | 65 |
| 250 | 300 | 200 | 65 |
| 300 | 350 | 200 | 65 |
| 350 | 400 | 290 | 65 |
| 400 | 450 | 290 | 65 |
| 450 | 500 | 290 | 65 |
| 500 | 550 | 290 | 65 |
| 550 | 600 | 290 | 65 |
| 600 | 650 | 290 | 65 |
| 650 | 700 | 290 | 65 |
| 700 | 750 | 290 | 65 |
| 750 | 800 | 290 | 65 |
| 800 | 850 | 290 | 65 |

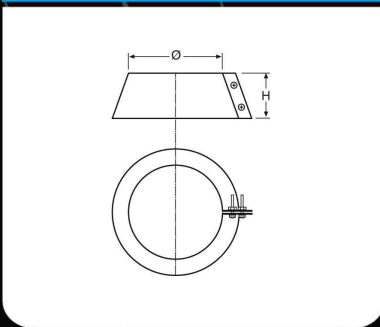


DW25 - Duplafalú - AISI 316L / AISI 304

DW25 DOUBLE WALL AISI 316L / AISI 304



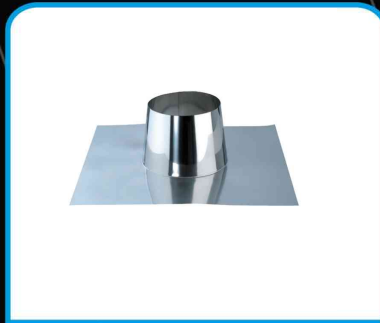
EXFASCAC..



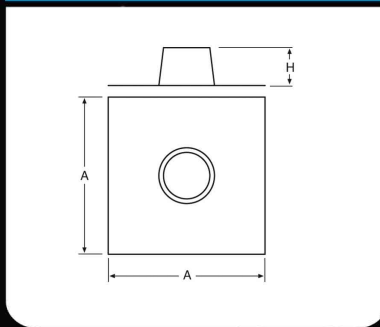
Esőgallér

Storm collar double wall insulated

| Øi | Øe | H |
|-----|-----|-----|
| 80 | 130 | 100 |
| 100 | 150 | 100 |
| 130 | 180 | 100 |
| 150 | 200 | 100 |
| 180 | 230 | 100 |
| 200 | 250 | 100 |
| 250 | 300 | 100 |
| 300 | 350 | 100 |
| 350 | 400 | 100 |
| 400 | 450 | 100 |
| 450 | 500 | 100 |
| 500 | 550 | 100 |
| 550 | 600 | 100 |
| 600 | 650 | 100 |
| 650 | 700 | 100 |
| 700 | 750 | 100 |
| 750 | 800 | 100 |
| 800 | 850 | 100 |



EXFALDPC..



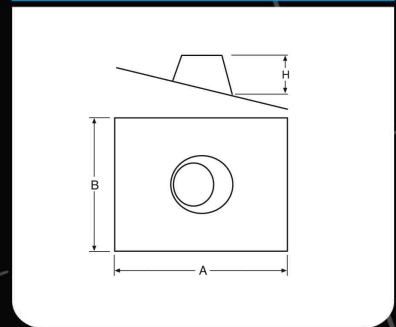
Tetőátvezető idom

Flat flashing double wall insulated

| Øi | A | H |
|-----|------|-----|
| 80 | 450 | 150 |
| 100 | 450 | 150 |
| 130 | 500 | 170 |
| 150 | 600 | 180 |
| 180 | 600 | 210 |
| 200 | 600 | 210 |
| 250 | 650 | 230 |
| 300 | 700 | 230 |
| 350 | 700 | 200 |
| 400 | 850 | 200 |
| 450 | 900 | 200 |
| 500 | 950 | 200 |
| 550 | 1100 | 200 |
| 600 | 1200 | 200 |
| 650 | 1300 | 200 |
| 700 | 1400 | 200 |
| 750 | 1500 | 200 |
| 800 | 1600 | 200 |



EXFALDR5C..



Állítható tetőátvezető idom 5°-30°

Adjustable flashing from 5° to 30° double wall insulated

| Ø | A | H |
|-----|------|-----|
| 80 | 450 | 150 |
| 100 | 450 | 150 |
| 130 | 500 | 170 |
| 150 | 600 | 180 |
| 180 | 600 | 210 |
| 200 | 600 | 210 |
| 250 | 650 | 230 |
| 300 | 700 | 230 |
| 350 | 700 | 200 |
| 400 | 850 | 200 |
| 450 | 900 | 200 |
| 500 | 950 | 200 |
| 550 | 1100 | 200 |
| 600 | 1200 | 200 |
| 650 | 1300 | 200 |
| 700 | 1400 | 200 |
| 750 | 1500 | 200 |
| 800 | 1600 | 200 |

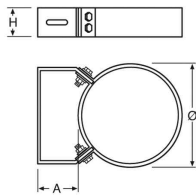


DW25 - Duplafalú - AISI 316L / AISI 304

DW25 DOUBLE WALL AISI 316L / AISI 304



EXCOLC..

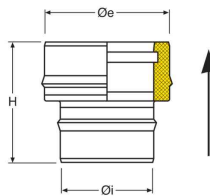


Fali távtartó

Wall bracket double wall insulated



EXRCIDP..

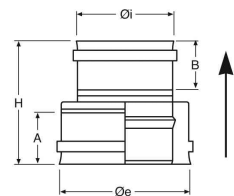


DUPLAFALÚ SZIGETELT.
Egyfalú/Szigetelt átalakító - boiler
adaptor

Adaptor from single to double wall
(boiler adaptor) double wall insulated



EXGIUDMC..



csatlakozó DW inox duplafalú-
egyfalú DN 80/130 AISI 316L BA
vastagság 0,4 mm

connector DW inox double - single
DN80/130 AISI 316L BA thickness
0,4 mm

| Øi | Øe | A | B |
|-----|-----|-----|----|
| 80 | 130 | 40 | 50 |
| 100 | 150 | 40 | 50 |
| 130 | 180 | 40 | 50 |
| 150 | 200 | 40 | 50 |
| 180 | 230 | 40 | 50 |
| 200 | 250 | 40 | 50 |
| 250 | 300 | 40 | 50 |
| 300 | 350 | 40 | 50 |
| 350 | 400 | 100 | 50 |
| 400 | 450 | 100 | 50 |
| 450 | 500 | 100 | 50 |
| 500 | 550 | 100 | 50 |
| 550 | 600 | 100 | 50 |
| 600 | 650 | 100 | 50 |
| 650 | 700 | 100 | 50 |
| 700 | 750 | 100 | 50 |
| 750 | 800 | 100 | 50 |
| 800 | 850 | 100 | 50 |

| Øi | Øe | H |
|-----|-----|-----|
| 80 | 130 | 160 |
| 100 | 150 | 160 |
| 130 | 180 | 160 |
| 150 | 200 | 160 |
| 180 | 230 | 160 |
| 200 | 250 | 160 |
| 250 | 300 | 160 |
| 300 | 350 | 160 |
| 350 | 400 | 160 |
| 400 | 450 | 160 |
| 450 | 500 | 160 |
| 500 | 550 | 160 |
| 550 | 600 | 160 |
| 600 | 650 | 160 |
| 650 | 700 | 160 |
| 700 | 750 | 160 |
| 750 | 800 | 160 |
| 800 | 850 | 160 |

| Øi | Øe | H | A | B |
|-----|-----|-----|----|----|
| 80 | 130 | 160 | 65 | 65 |
| 100 | 150 | 160 | 65 | 65 |
| 130 | 180 | 160 | 65 | 65 |
| 150 | 200 | 160 | 65 | 65 |
| 180 | 230 | 160 | 65 | 65 |
| 200 | 250 | 160 | 65 | 65 |
| 250 | 300 | 160 | 65 | 65 |
| 300 | 350 | 160 | 65 | 65 |
| 350 | 400 | 160 | 65 | 65 |
| 400 | 450 | 160 | 65 | 65 |
| 450 | 500 | 160 | 65 | 65 |
| 500 | 550 | 160 | 65 | 65 |
| 550 | 600 | 160 | 65 | 65 |
| 600 | 650 | 160 | 65 | 65 |
| 650 | 700 | 160 | 65 | 65 |
| 700 | 750 | 160 | 65 | 65 |
| 750 | 800 | 160 | 65 | 65 |
| 800 | 850 | 160 | 65 | 65 |

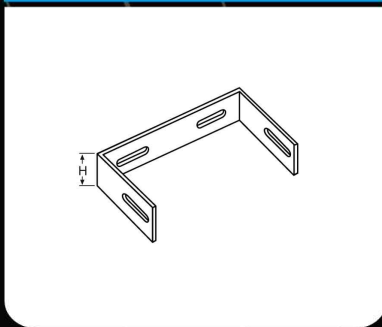


DW25 - Duplafalú - AISI 316L / AISI 304

DW25 DOUBLE WALL AISI 316L / AISI 304



EXDISC..



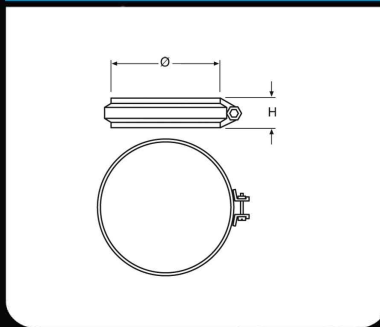
Fali távtartó

Extension for wall bracket double wall insulated

| Ø | H |
|-----|----|
| 80 | 50 |
| 100 | 50 |
| 110 | 50 |
| 120 | 50 |
| 125 | 50 |
| 130 | 50 |
| 140 | 50 |
| 150 | 50 |
| 160 | 50 |
| 180 | 50 |
| 200 | 50 |
| 220 | 50 |
| 250 | 50 |
| 300 | 50 |
| 350 | 50 |
| 400 | 50 |
| 450 | 50 |
| 500 | 50 |



EXFASDCD..



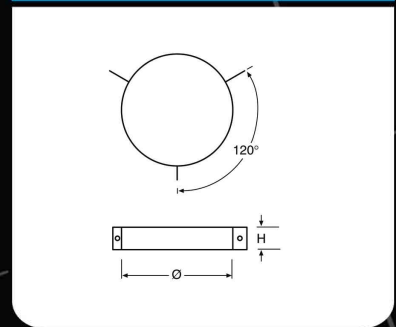
DUPLAFALÚ SZIGETELT-
Szorítóbilincs

Locking band double wall insulated

| Ø | H |
|-----|----|
| 130 | 30 |
| 150 | 30 |
| 180 | 30 |
| 200 | 30 |
| 230 | 30 |
| 250 | 30 |
| 300 | 30 |
| 350 | 30 |
| 400 | 30 |
| 450 | 42 |
| 500 | 42 |
| 550 | 42 |
| 600 | 42 |
| 650 | 42 |
| 700 | 42 |
| 750 | 42 |
| 800 | 42 |
| 850 | 42 |



EXCOLTC..



Kábelrögzítő bilincs

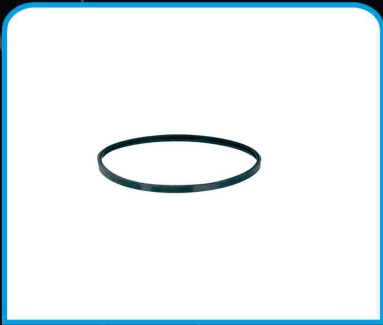
Guy wire bracket double wall insulated

| Øi | Øe | H |
|-----|-----|----|
| 80 | 130 | 40 |
| 100 | 150 | 40 |
| 130 | 180 | 40 |
| 150 | 200 | 40 |
| 180 | 230 | 40 |
| 200 | 250 | 40 |
| 250 | 300 | 40 |
| 300 | 350 | 40 |
| 350 | 450 | 40 |
| 400 | 500 | 40 |
| 450 | 550 | 40 |
| 500 | 600 | 40 |
| 550 | - | - |
| 600 | - | - |
| 650 | - | - |
| 700 | - | - |
| 750 | - | - |
| 800 | - | - |

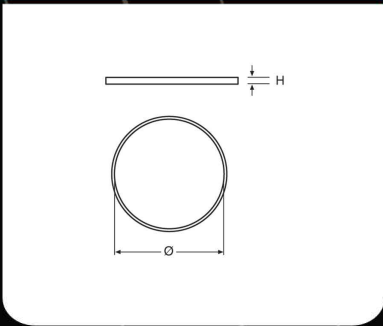


DW25 - Duplafalú - AISI 316L / AISI 304

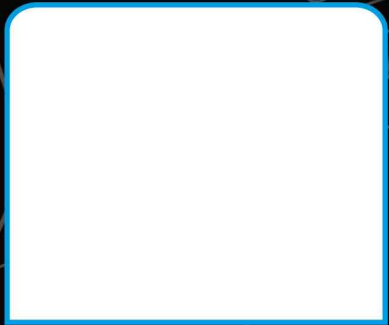
DW25 DOUBLE WALL AISI 316L / AISI 304



L316EX2GN..



L316EX2GN..



L316EX2GN..



● EGYFALÚ - Szilikon tömítőgyűrű

Seal black

| Ø | H |
|-----|----|
| 80 | 10 |
| 100 | 10 |
| 110 | 10 |
| 120 | 10 |
| 125 | 10 |
| 130 | 10 |
| 140 | 10 |
| 150 | 10 |
| 160 | 10 |
| 180 | 10 |
| 200 | 10 |
| 220 | 10 |
| 250 | 10 |
| 300 | 10 |
| 350 | 10 |

EXPO INOX



67.6

20

EXPO INOX



67.6

20



Expo Inox S.p.a.
Viale Artigianato 6
27020 Borgo San Siro (PV) ITALIA

tel. +39 0382 87237

fax +39 0382 87330

e-mail: info@expoinox.com

www.expoinox.com